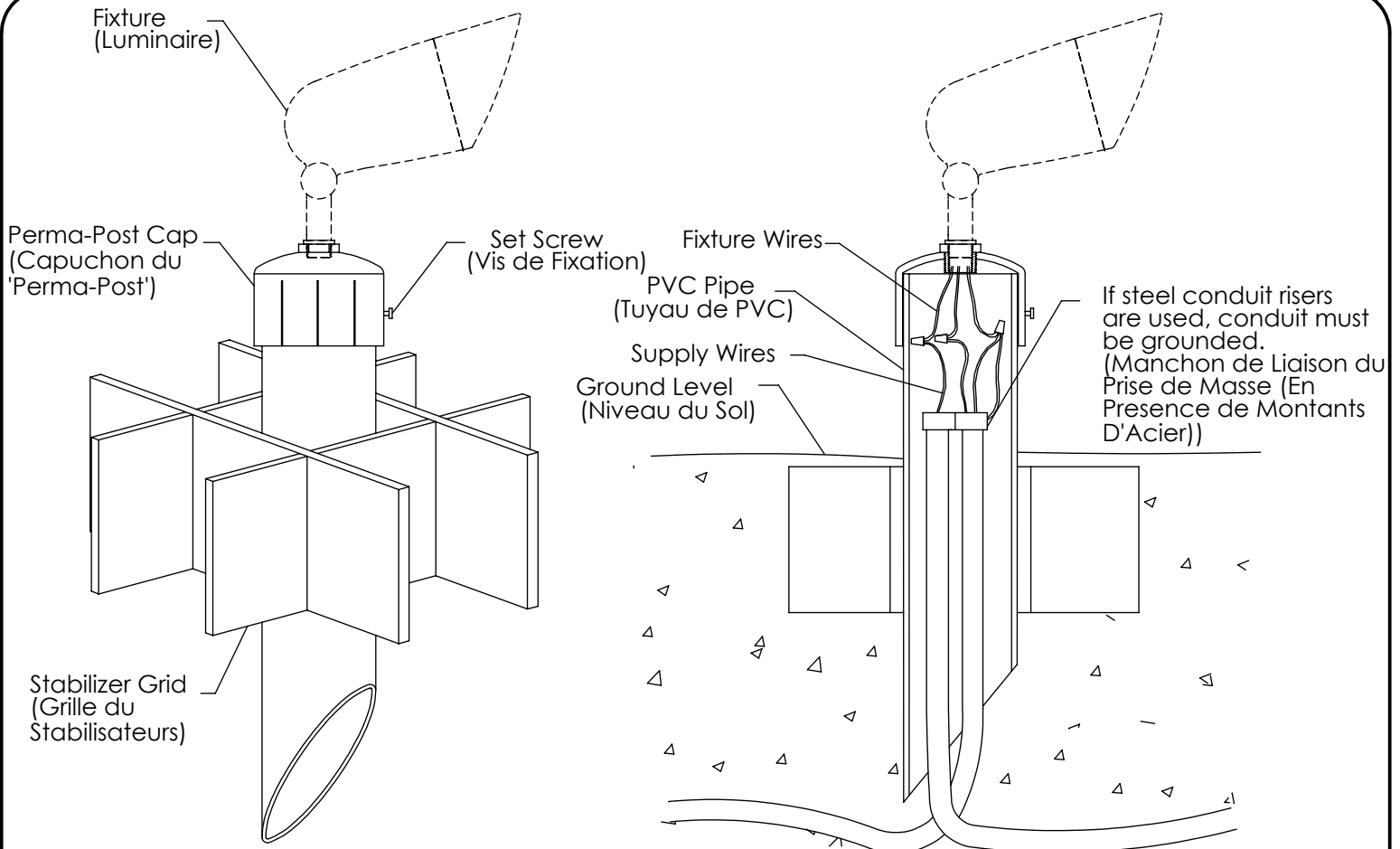
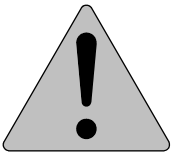


INSTALLATION INSTRUCTIONS: FOR S3 MOUNTING STAKE



READ THESE INSTRUCTIONS CAREFULLY BEFORE INSTALLING FIXTURE.

This fixture is intended for installation in accordance with the National Electrical Code and local code specifications. Failure to adhere to these codes and instructions may result in serious injury and/or damage to the fixture and will void the warranty. These instructions cover most installation applications. For any special applications not covered, please contact your distributor for assistance.



This fixture is intended for installation in accordance with the National Electrical Code and local code specifications. Failure to adhere to these codes and instructions may result in serious injury and/or damage to the ballast and void the warranty. These instructions do not purport to cover all details or variations in equipment, nor to provide for every possible contingency related to installation, operation, maintenance, or mounting situation. Should specific problems occur that are not addressed by these instructions, contact your Sales Representative or distributor for assistance. Retain these instructions for future reference.

INSTALLATION INSTRUCTIONS:

1. Excavate for the conduit runs and the Perma-post.
2. Install the conduit.
3. Slide the stabilizer grid onto the PVC pipe as shown in the illustration and secure with the two short screws supplied. Discard the long screw.
4. Place the post over the conduit as shown in the illustration.
5. Backfill against mounting post.
6. Install the fixture onto the cap. The fixture must be U.L. listed "Suitable for wet locations."
7. Pull the supply wires through the conduit.
8. Connect supply wires to fixture wires with wire nuts. (not supplied) Connect white wire to white wire, black wire to black wire, and all of the ground wires together. If rigid steel conduit risers are used, conduit must be grounded.
9. Install the fixture and cap onto the top of the post and tighten the set screw.
10. You are now ready to turn on the power.

