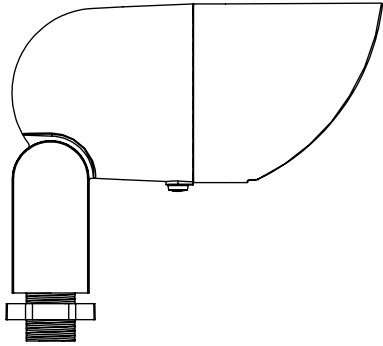
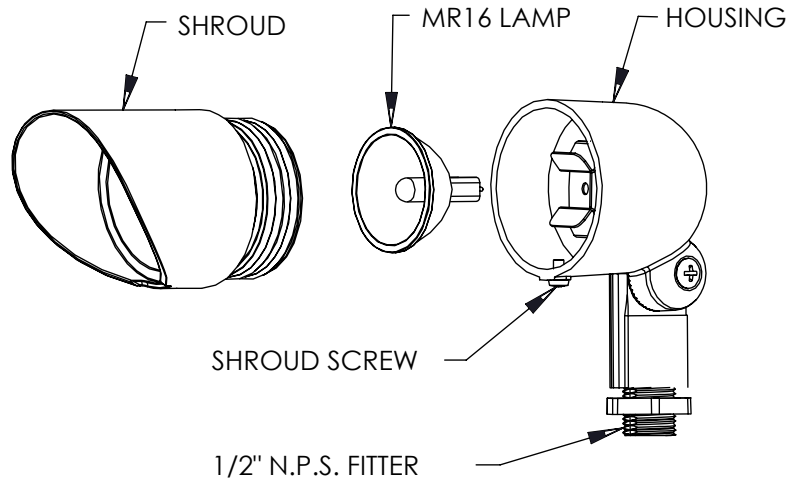


# INSTALLATION INSTRUCTIONS: BL5016 BULLYTE



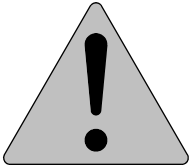
BL5016



The following lamps may be used in this fixture:
50W MR16 Bi-pin
42W MR16 Bi-pin
37W MR16 Bi-pin
35W MR16 Bi-pin
20W MR16 Bi-pin

FOR USE ONLY WITH LOW VOLTAGE LANDSCAPE LIGHTING POWER UNITS THAT ARE RATED MAXIMUM 25 AMPS, 15 VOLTS PER CIRCUIT.

Do not install fixture within 10 feet (3.05 meters) of a pool, spa or fountain.



## SAFETY WARNING:

**ALWAYS TURN FIXTURE OFF/DISCONNECT POWER AND ALLOW TO COOL BEFORE PERFORMING ANY MAINTENANCE, INCLUDING RELAMPING AND CLEANING!**

This fixture can become very HOT! The fixture housing and lens, especially if it is glass, can become hot enough to blister hands. Attention should be paid to where the fixture is mounted, particularly if it can be touched by children or pets. To help prevent premature failure, decreased performance, overheating and risk of fire, keep fixture and lens clean and free of leaves, mulch, debris and mineral deposits from water. The fixture and lens can be cleaned using a soft cloth and a solution of mild liquid soap and warm water. Wipe clean and dry with a soft, lint-free dry cloth. Avoid polishing fixture or lens.



This fixture is intended for installation in accordance with the National Electrical Code and local code specifications. Failure to adhere to these codes and instructions may result in serious injury and/or damage to the ballast and void the warranty. These instructions do not purport to cover all details or variations in equipment, nor to provide for every possible contingency related to installation, operation, maintenance, or mounting situation. Should specific problems occur that are not addressed by these instructions, contact your Sales Representative or distributor for assistance. Retain these instructions for future reference.

## INSTALLATION INSTRUCTIONS

1. Make sure power is turned OFF before installing or servicing this fixture.
2. This fixture must be mounted to a junction box or mounting stake that is UL Listed for low voltage and wet locations. Mounting stakes S1, S6, S7, S8, or canopy MC1, M0040, or junction box TM1 may be used.
3. Loosen shroud screw and remove shroud by pulling and twisting off of housing.
4. Install specified lamp (not included) by pressing firmly through clip and into socket.
5. Push shroud completely back into housing and tighten shroud screw to secure shroud in place.
6. Loosen screw in arm, aim fixture as desired and tighten screw.
7. Wire fixture following instructions below for low voltage connector.
8. Turn power ON.

### INSTRUCTIONS PERTAINING TO A RISK OF FIRE OR INJURY TO PERSONS IMPORTANT SAFETY INSTRUCTIONS - SAVE THESE INSTRUCTIONS!

WARNING - Lamp gets HOT quickly! To reduce the risk of FIRE OR INJURY TO PERSONS:

Do not operate fixture with a missing or damaged lens/lens assembly.

Contact only switch or plug when turning fixture on or off. Do NOT touch hot lens or housing.

Turn off or unplug fixture and allow to cool before relamping. Keep lamp away from combustibles.

Do NOT touch lamp with bare hands at any time, use a soft cloth as oil from skin may damage lamp.

### LOW VOLTAGE CABLE CONNECTOR INSTRUCTIONS

Low voltage cable connector to be used with 10 or 12 gauge supply cable and 18 gauge fixture cable. Hadco recommends using SPT-3 water resistant (marked "WA", "W" or similar marking) supply cable such as our SCW500-10 or our SCW100-12. Hadco also recommends ordering the entire system, which includes the power console (maximum 25 Amps, 15 Volts per circuit), fixture(s) (low voltage cable connector included) and supply cable to ensure proper installation and operation.

When using our supply cable, it can be laid on top of the ground, placed under "ground cover" (that is, shallow burial less than 6 inches or 15.2 cm deep), or directly buried in accordance with the NEC. If not using our cable, per UL 1838-Standard for Low Voltage Landscape Lighting Systems, the secondary cable must be SPT-3 or suitable for wet locations, sunlight resistant and direct burial per UL 493 and sized per UL 1838, and it must be buried less than 6 inches (15.2 cm).

Hadco recommends a minimum depth of 4 inches when burying in the lawn to prevent damage from aerators or other lawn plugging equipment.

The 18 gauge fixture cable (provided with fixture) must be protected by routing in close proximity to the fixture or secured to a building structure such as a house or deck. The fixture cable must be cut off so that it is connected to the low voltage cable connector within 3 inches (7.6 cm) of the fixture or the building structure. When making an underground connection to the 10 or 12 gauge supply cable (not provided), the fixture cable must not be buried more than 3 inches (7.6 cm).

1. Connect the supply cable to the terminals on the power console (transformer) and turn ON.
2. Disassemble the connector by removing the Phillips head screw.
3. Inspect the connector to ensure the prongs are straight. If the prongs are bent, straighten with pliers.
4. Insert the end of the fixture cable into the square opening in the connector body. Bend wire over so that wire is laying in the recess marked '18 GA'. This will help hold the wire in place while performing steps 5 and 6. Only 2-wire cable is to be used and the common (smooth) wire and hot (ribbed) wires must be oriented as shown.
5. Press the supply cable into the recess marked '10,12/2 GA' on the connector body. Again the common (smooth) wires and the hot (ribbed) wires must be oriented as shown.
6. Press the connector cover onto the connector body, making sure the screw holes line up with each other.
7. Assemble the connector by tightening the Phillips head screw. NOTE: Make sure the metal prongs in the connector pierce all 4 wires; the fixture will light as the prongs pierce the wires.

